

# NEEDLE-VALVES PN 400

The valves are of forged steel construction with male ends.

## Material:

**Stainless steel Type RB 4530**

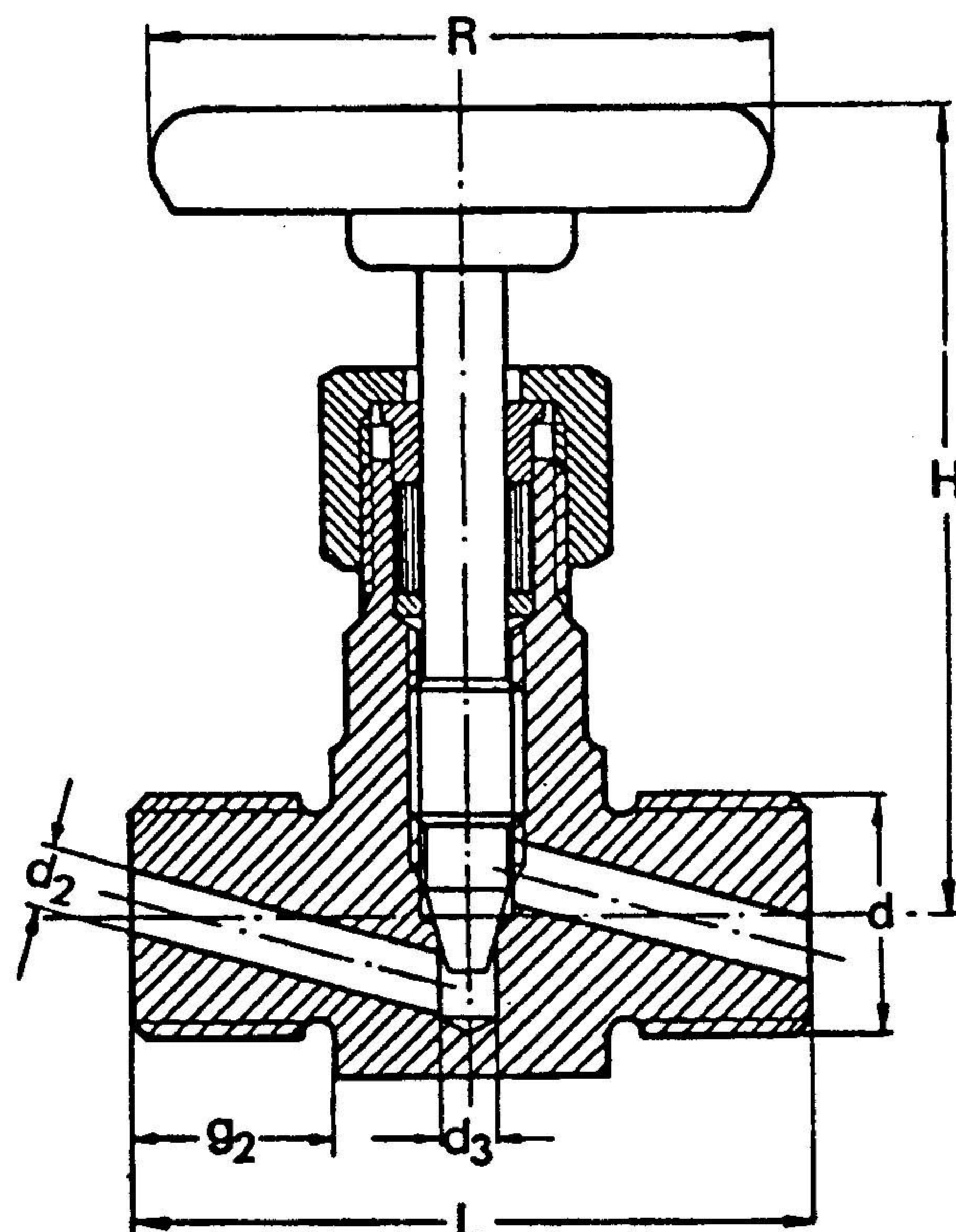
Body: AISI 316L

Stem: AISI 329

Packing: Graphite

Handwheel: Steelplate

<b>Pressure</b>	400	160	125	20	<b>bar</b>
<b>Temp</b>	20	125	200	300	<b>C</b>



DN	Measure						
	d	d3	d2	g2	H	L	R
10	R3/8"	5	5	15	85	60	65
15	R1/2"	5	5	18	85	60	65

The valve can on request be supplied with locked boxnut and also with handwheel of AISI 316.

These valves are suitable for steam, oil and gas. They are also available for a wide range of acid and alkaline fluids in chemical and processing industries.

**Rubens**  
**VERKSTAD AB**