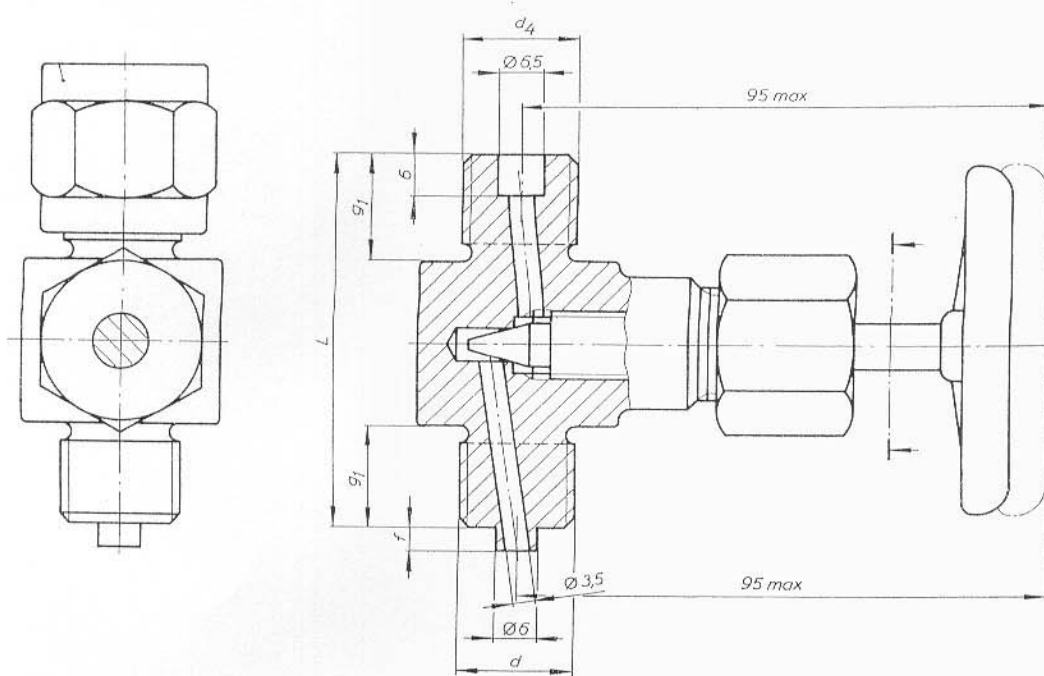


# PRESSURE GAUGES NEEDLE VALVES WITHOUT CHECKING FLANGE

| Stainless steel AISI 430F |           | Stainless steel AISI 316L |
|---------------------------|-----------|---------------------------|
| DN                        | RSK.no    | RSK.no                    |
| 10                        | 462 30 13 | 462 30 25                 |
| 15                        | 462 30 21 | 462 30 26                 |



| DN | Thread |             | g1 | f | L  |
|----|--------|-------------|----|---|----|
|    | d      | d4          |    |   |    |
| 10 | R3/8-B | R3/8-B Left | 15 | 3 | 54 |
| 15 | R1/2-B | R1/2-B Left | 20 | 5 | 64 |

Working pressure      400 Bar 20 C  
 Stainless steel        160 Bar 125 C  
                                  125 Bar 200 C  
                                  20 Bar 300 C

The valve can be supplied with locked boxnut.  
 Packing: Graphite.  
 The valve are supplied with handwheel of steelplate.

**Rubens**  
**VERKSTAD AB**

BOX 103, S-280 60 BROBY

PHONE +46 44 401 78 • FAX +46 44 408 51