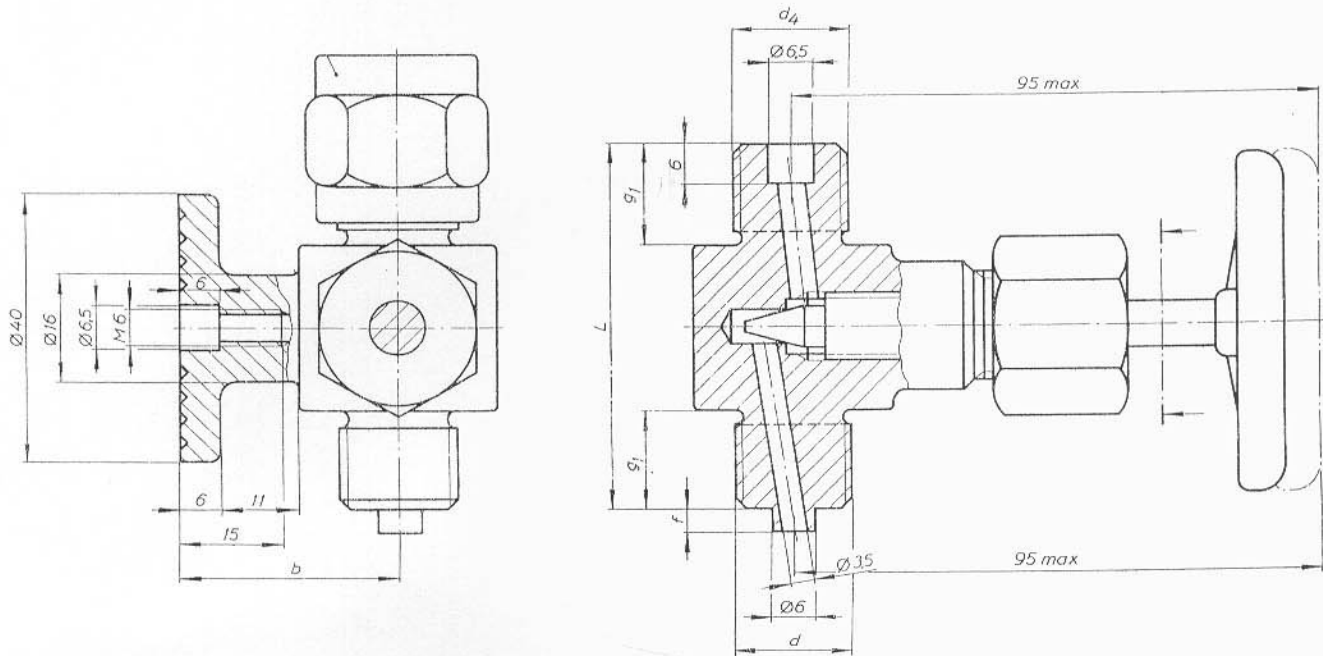


# PRESSURE GAUGES NEEDLE VALVES WITH CHECKING FLANGE

Brass SS-EN CW 614N

DN	RSK.No
8	462 22 11
10	462 22 13
15	462 22 21



DN	Thread		g1	f	b min	L
	d	d4				
8	R1/4-B	R1/4-B Left	13	3	31	50
10	R3/8-B	R3/8-B Left	15	3	31	54
15	R1/2-B	R1/2-B Left	20	5	34	64

Working pressure      Max 100 Bar

Working temperature      Max 185 C

The valve can be supplied with locked boxnut.  
Packing: Graphite.  
The valve are supplied with handwheel of steelplate.

**Rubens**  
**VERKSTAD AB**

BOX 103, S-280 60 BROBY

PHONE +46 44 401 78 • FAX +46 44 408 51